

Site Requirements

Contents

Site Requirements	2-3
Operating Environment	2-3
Printer Space Requirements	2-4
The HP C3906A/F Toner Cartridge	2-5
Storage Conditions	2-5
Storing Opened Toner Cartridges	2-5
Toner Cartridge Handling Suggestions	2-6

Site Requirements

Operating Environment

The environmental requirements listed in the table below must be maintained to ensure the proper operation of this printer.

Table 2-1

Environmental Requirements

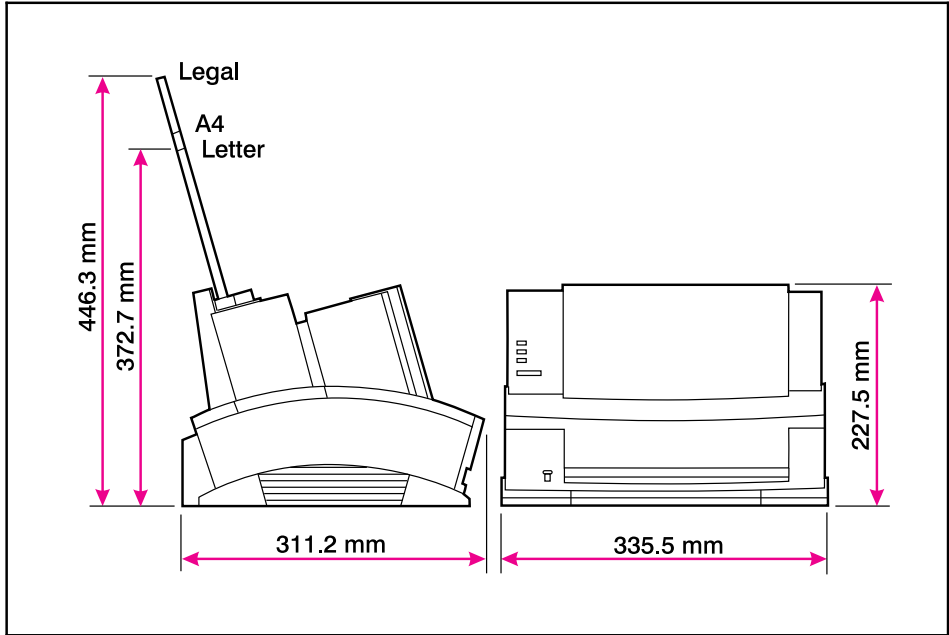
LaserJet 5L/6L & Cartridge	Operating	Storage
Temperature	50 to 90.5° F (10 to 32.5° C)	32 to 104° F (0 to 40° C)
Humidity	20 to 80% RH (with no condensation)	10 to 80% RH (with no condensation)

Consider the following points before installing the printer:

- Install in a **well-ventilated, dust-free** area.
- Install on a **hard, flat and continuous surface**, with all four printer feet level. Do not install on carpet or other soft surfaces.
- Ensure **adequate power is supplied**. Printer power requirements are listed under “Specifications,” in Chapter 1. Uninterruptible power supplies (UPS) should not be used with this printer.
- **Install away from direct sunlight**, open flames, or ammonia fumes. If the printer is placed near a window, make sure the window has a curtain or blind to block any direct sunlight.
- Install with enough **space around the printer** for proper access and ventilation. (See Figure 2-1.)
- Install printer **away from the direct flow of exhaust** from air ventilation systems.

Printer Space Requirements

Figure 2-1



Printer Space Requirements

Table 2-2

Printer Dimensions

Description	Dimension
Width	13.2 in. (335.5 mm)
Depth	12.3 in. (311.2 mm)
Height (storage) (operational)	8.9 in. (227.5 mm) 14.6 in. (372.7 mm)*
Weight (with toner cartridge)	15.9 lbs. (7.2 kg)
Toner cartridge weight**	1.5 lbs. (.7 kg)

* With letter input assembly extended.

** Some quantity of toner will reside in the waste toner area of a toner cartridge when the toner supply is exhausted. Therefore, using toner cartridge weight may be an unreliable indication of remaining toner supply.

The HP C3906A/F Toner Cartridge

Toner cartridges contain components that are sensitive to light, temperature, and humidity. Follow the recommendations in this section to ensure the highest quality and longest life of HP toner cartridges.

Keep the printer within the following environmental conditions for optimum performance.

Storage Conditions

The toner cartridge is affected by its environment. Packaging protects the toner cartridge from light and increases its storage life. It is important to store the cartridge in its original packaging until the cartridge is ready to be installed in the printer.

When storing the toner cartridge in a warehouse or work area, make sure the storage place meets the conditions specified in Table 2-1.

Storing Opened Toner Cartridges

Because the cartridge does not have a shutter to cover the laser beam access slot, it should be kept inside the printer until empty. Toner cartridges which have had the toner sealing tape removed are also more vulnerable to environmental extremes (such as high humidity).

If the toner cartridge must be removed from the printer, always store the cartridge:

- Inside the protective bag in which it was originally packaged.
- In a dark cabinet, away from direct sunlight.
- Correct side up and in a horizontal position (not standing on end).
- At a temperature between 32° to 104° F (0° and 40° C).
- Away from ammonia or other organic solvent fumes.

Caution

Never ship the printer with a toner cartridge installed. Excessive vibration during shipping can cause toner to leak, contaminating the printer. Never expose the toner cartridge to direct sunlight or to room light for more than a few minutes. Bright light and direct sunlight can permanently damage a toner cartridge.

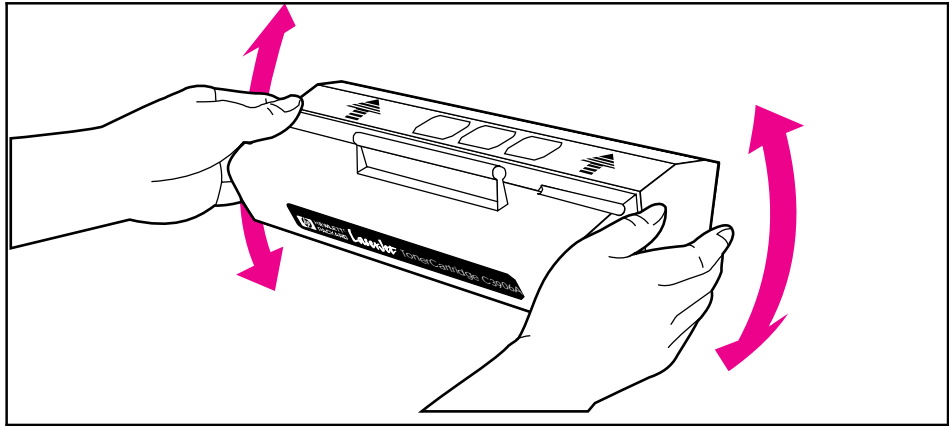
Note

The C3906F toner cartridge is designed specifically for use in the environmental conditions of the Asia Pacific region and is only available in that region.

Toner Cartridge Handling Suggestions

- Before installing a cartridge, distribute the toner evenly by rotating the cartridge back and forth five to six times. (See Figure 2-2.) Repeat this action when toner begins to run low.

Figure 2-2



Toner Cartridge Distribution

- Do not touch the surface of the photosensitive drum in the cartridge. Protect the drum from light and contamination.
- Do not expose the cartridge to unnecessary vibrations or shock.
- Do not expose the photosensitive drum to strong light. Blurred areas on the page may indicate that the drum has been exposed to light for too long. This causes permanent damage to the photosensitive drum. Replace the cartridge.
- Never manually rotate the drum, especially in the reverse directions; internal damage and toner spills may result.
- Do not install the toner cartridge in the printer for shipping.